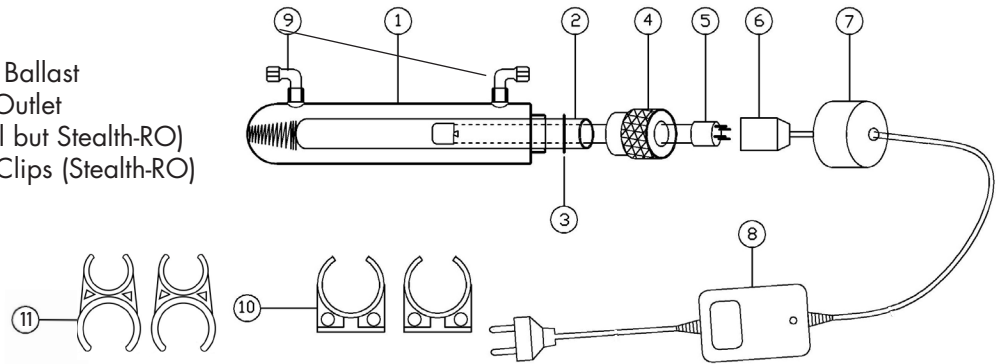


# Includes

- 1. UV Chamber
- 2. Quartz Sleeve
- 3. O-ring
- 4. Open End Nut
- 5. UV Lamp
- 6. Lamp Socket
- 7. Cover Cap
- 8. Electronic Ballast
- 9. Inlet and Outlet
- 10. Clips (all but Stealth-RO)
- 11. Double Clips (Stealth-RO)



# Installation

**Step 1:** Always wear rubber gloves when servicing system. Check all components inside: UV chamber, UV lamp, quartz sleeve, o-ring, electronic ballast and support.

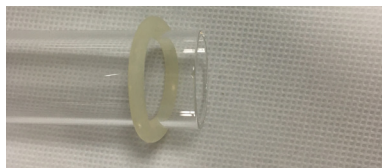


**Step 2:** Make sure the quartz sleeve and UV lamp are clean before installation (clean with alcohol, if needed).

**Step 3:** Remove end nut from UV chamber.



**Step 4:** Install o-ring onto the open end of quartz sleeve (12mm from the edge).



**Step 5:** Insert the quartz sleeve into the UV chamber.



**Step 6:** Hand-screw end nut on the UV chamber. To protect the o-ring, do not over-tighten.



**Step 7:** Connect the UV lamp to the lamp socket.



**Step 8:** Carefully insert the UV lamp into the quartz sleeve through end nut.



**Step 9:** Install the cover cap and hand-tighten onto end nut.



**Step 10:** The system should always be located closest to the point of use. The UV kit can either be installed horizontally or vertically.

**Step 11:** Slowly turn on the water supply and check for leaks. Run water for 3 minutes before powering up system.



## UV STERILIZER KIT

**Congratulations on your purchase of a HydroLogic UV Sterilizer Kit. When used properly, this system will provide thousands of hours of protection against bacteria, viruses, mold and algae in your water. HydroLogic UV Systems are meant to be used after our filter systems.**

### Precautions:

- ◆ Check UV lamp, quartz sleeve, cord, and plug to ensure that they are not damaged prior to installation.
- ◆ Never touch the UV lamp directly, always use rubber gloves.
- ◆ UV Systems are designed for continuous operation. Frequent on/off switching will reduce ultraviolet radiation and service life and will void warranty.
- ◆ If the UV kit falls into water, turn main power off before retrieving it. Do not attempt to use this UV kit if it has been submerged in water.
- ◆ Always disconnect the water supply and completely drain the water filter when temperatures drop below freezing for extended periods of time.
- ◆ Never look directly at the UV lamp while device is in operation. ⚠
- ◆ Disconnect power supply before servicing.
- ◆ Make sure to only use outlets with GFI protection.

### System Maintenance:

- ◆ Test monthly or before each use.
- ◆ Lamp replacement is recommended every 8000 hours of operation.
- ◆ Clean the quartz sleeve every 6 months with alcohol.

### UV Specs:

- ◆ Consumed Power: 5.5W-72W
- ◆ Input: 110V, 50/60Hz
- ◆ Ambient Water Temperature: 36°F-110°F
- ◆ Iron: <0.3ppm (0.3mg/l)
- ◆ Hardness: <7gpg (120mg/l)
- ◆ Turbidity: <1NTU
- ◆ Manganese: 0.05ppm (0.05mg/l)
- ◆ UV Transmittance: >75%

